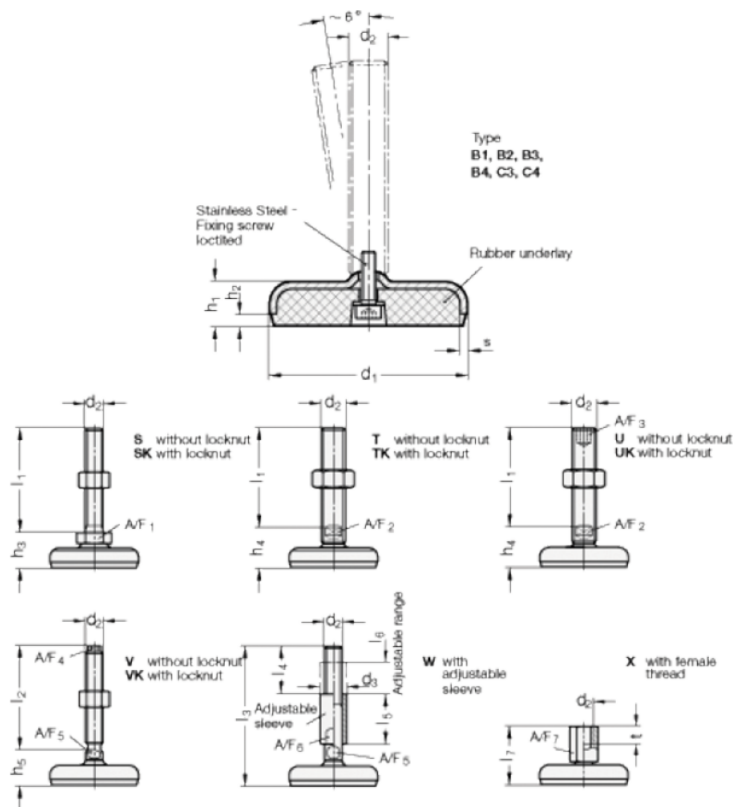


Article number: 203180M850C3SK  
 Description: E+G levelling foot  
 GN 31-80-M8-50-C3-SK  
 Note: SK With nut, External hexagon at the bottom

## Measures



|           |      |
|-----------|------|
| A/F1-     | = 17 |
| d1        | = 80 |
| d2        | = 8  |
| h1        | = 18 |
| h2        | = 5  |
| h3 +4.0/0 | = 26 |
| l1        | = 50 |
| s         | = 3  |